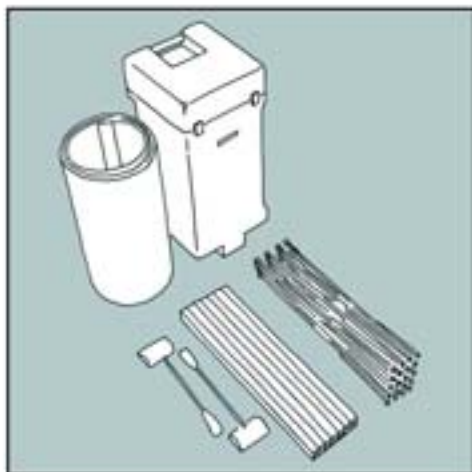
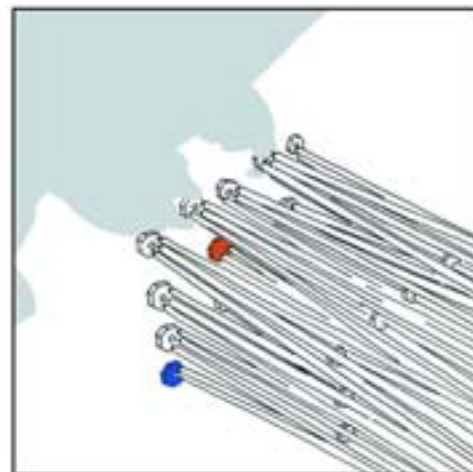


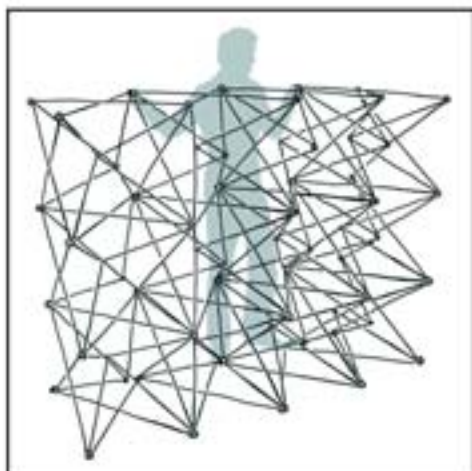
# SETUP INSTRUCTION Travel Stand Classic



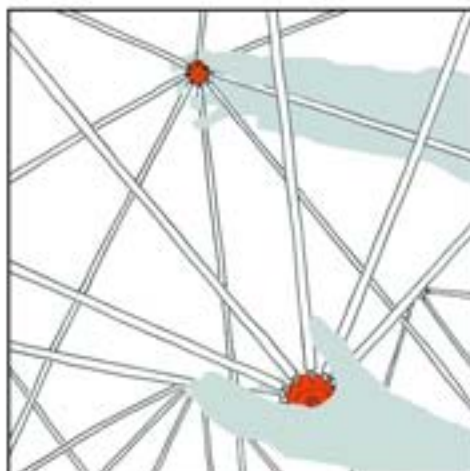
Place frame on floor.



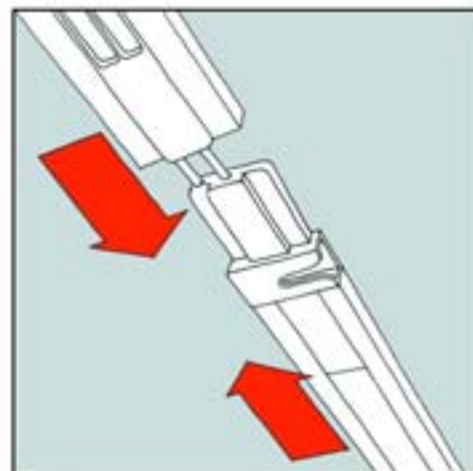
Blue nodes facing downwards and facing towards body.



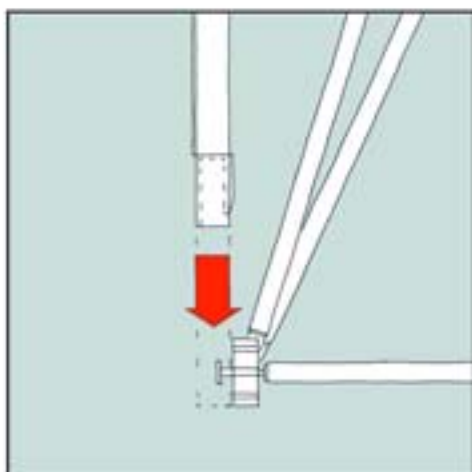
Fold out frame to shoulder height.



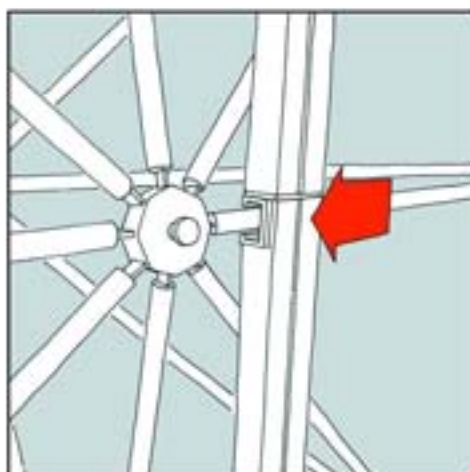
Place hands on central orange nodes and press towards each other until frame snaps into stand position.



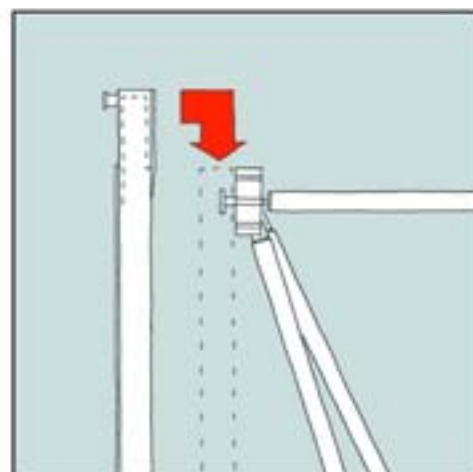
Unfold magnetic profiles and plug into each other.



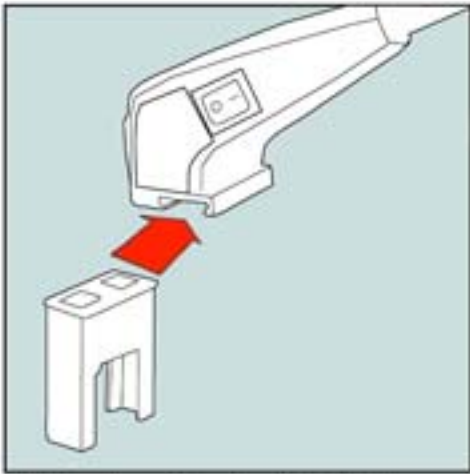
Slide and fix bottom joint of magnetic profile on lower node.



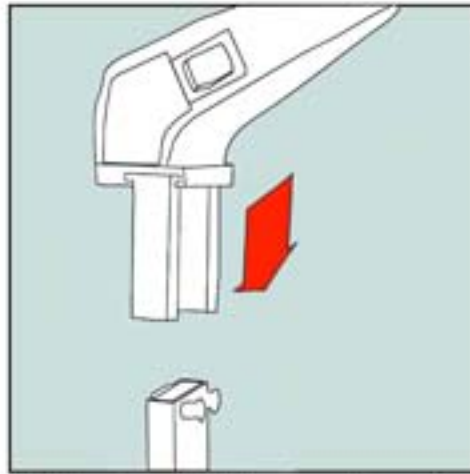
Slide and fix middle joints of magnetic profile on middle nodes.



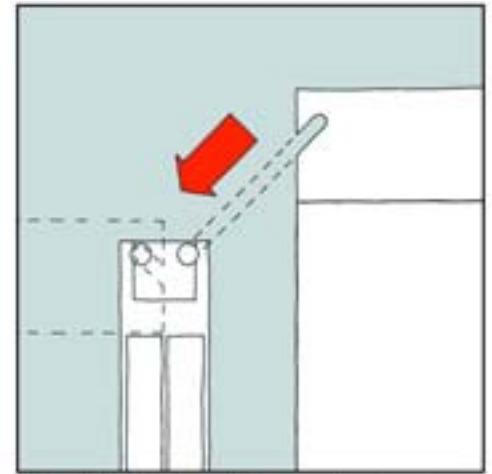
Slide and fix upper joint of magnetic profile over upper node. Repeat steps with other magnetic profiles.



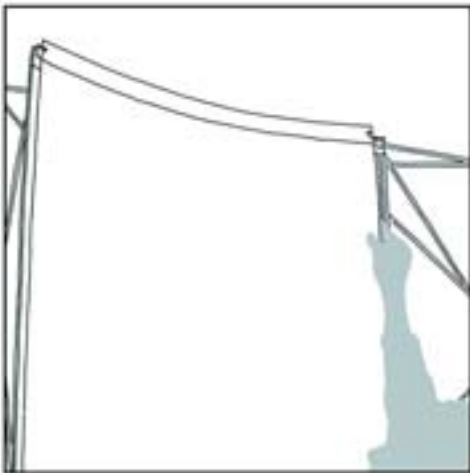
Slide hook profile onto foot of halogen spot.



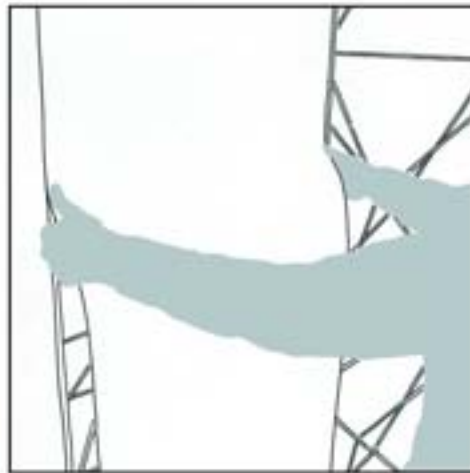
Slide hook profile into magnetic profile.



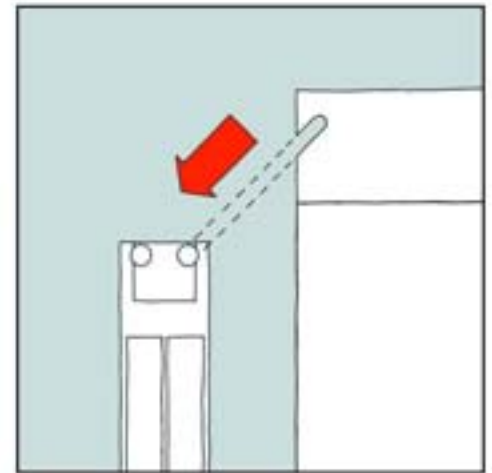
Hang left side graphics panel onto pin.



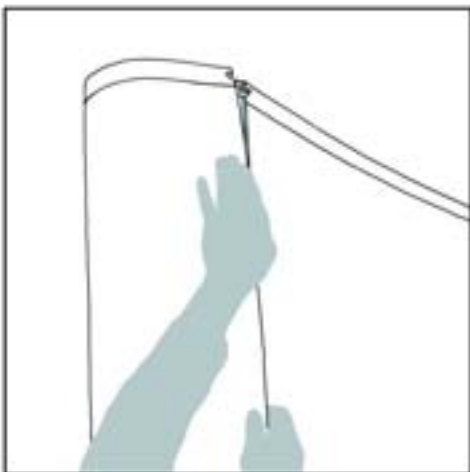
Hang right side graphics panel onto pin.



Hang and fasten graphics panel from top to bottom.



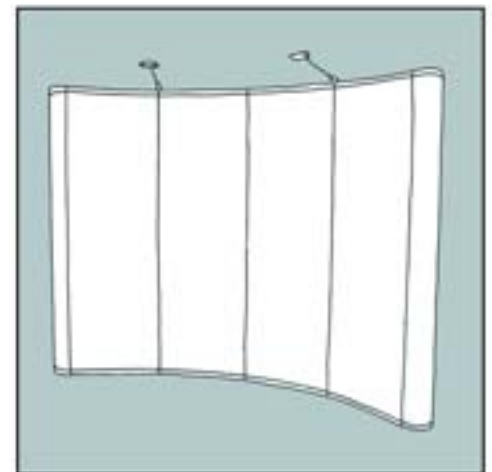
Hang left side endcap onto pin.



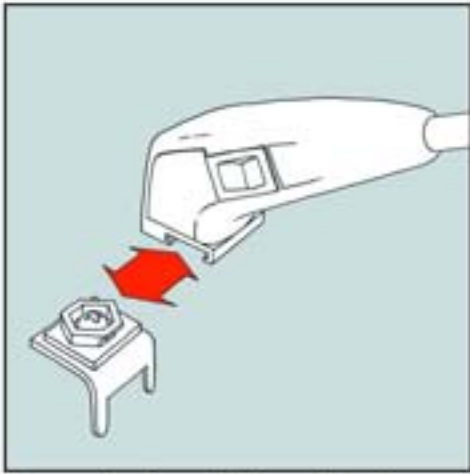
Hang right side endcap onto pin.



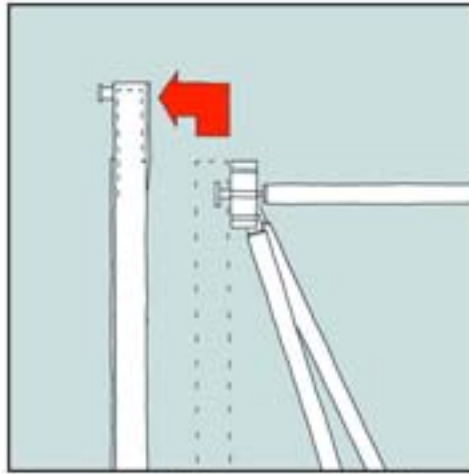
Hang and fasten endcap from top to bottom.



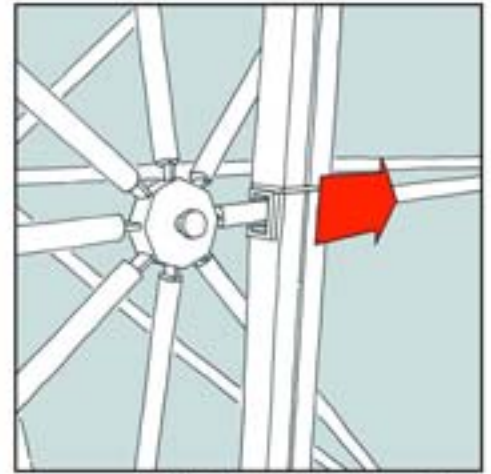
Repeat steps with other panels and complete Travel Stand Classic.



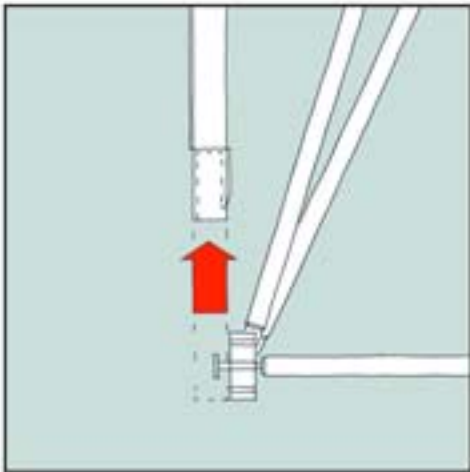
Remove hook profile from foot of halogen spot.



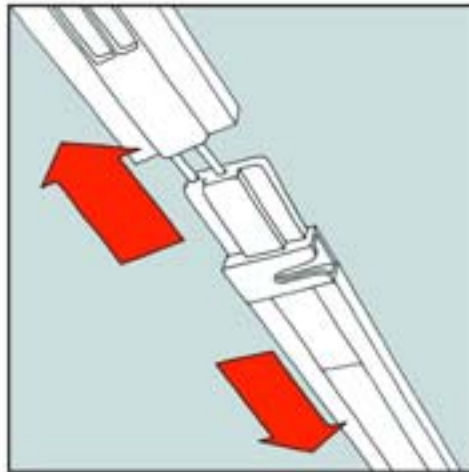
Remove upper joint magnetic profile from upper node.



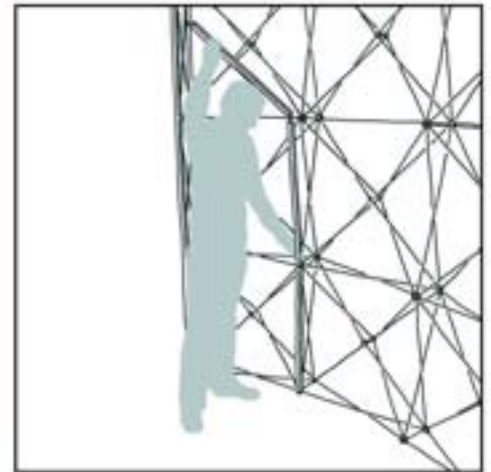
Remove middle joints magnetic profile from nodes frame.



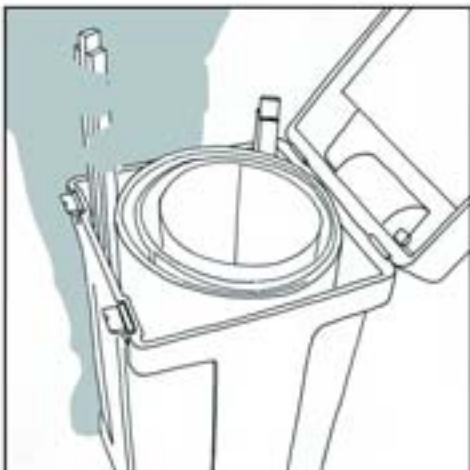
Remove bottom joint of magnetic profile from lower node.



Unplug and fold magnetic profiles.



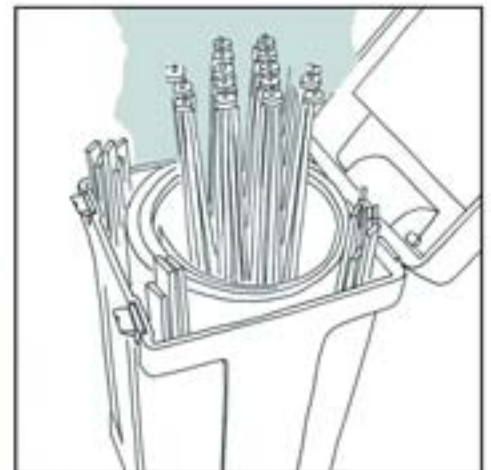
Remove all magnetic profiles before collapsing frame.



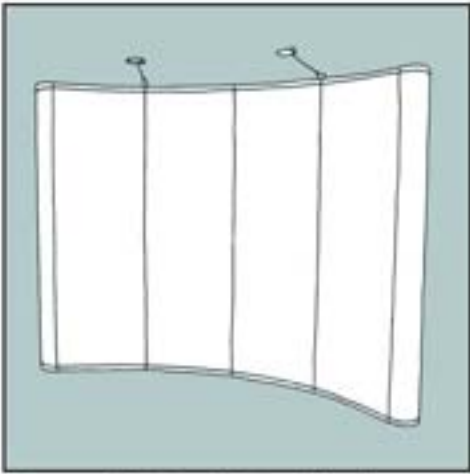
Place magnetic profiles in case.



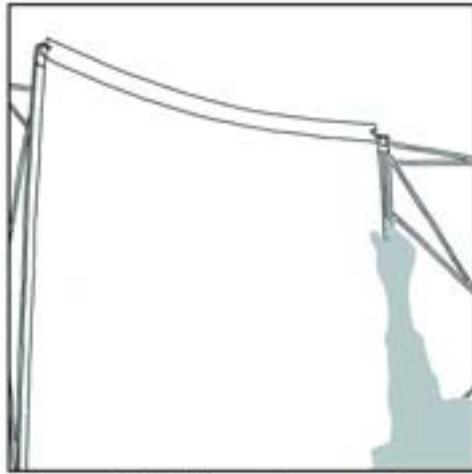
Place hands on orange nodes and pull apart. Collapse frame.



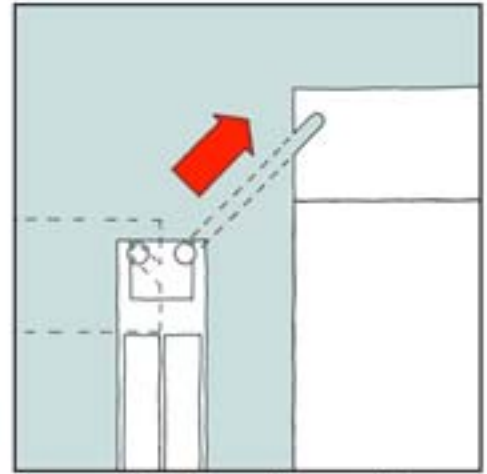
Place frame in case.



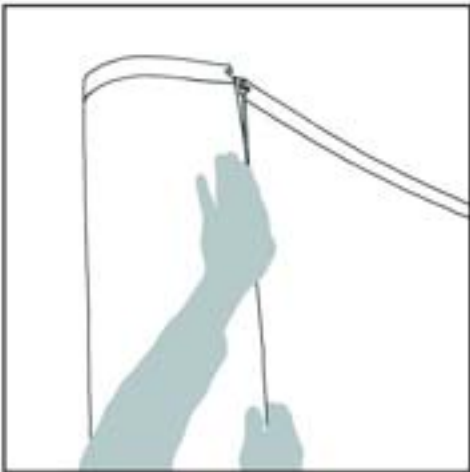
Disassemble Travel Stand Classic.



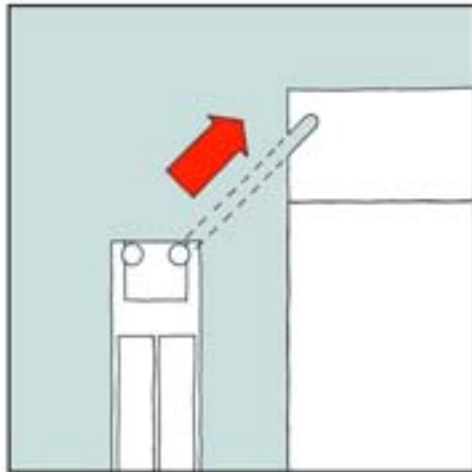
Remove right side graphics panel from pin.



Remove left side graphics panel from pin.



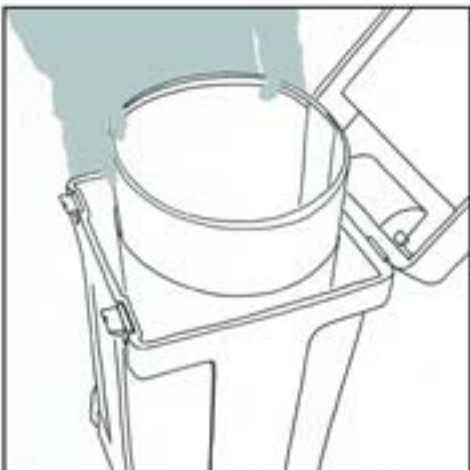
Remove right side endcap from pin.



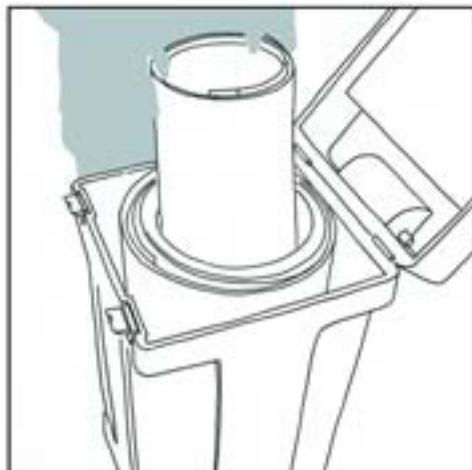
Remove right side endcap from pin.



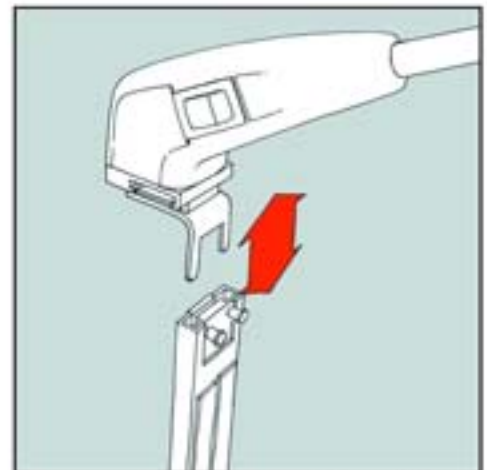
Roll up graphic panels one by one. Graphics on outside, magnetic strips on inside.



Place rolled up panels one by one in case.



Place rolled up endcaps in case last.



Remove spots from magnetic profiles.